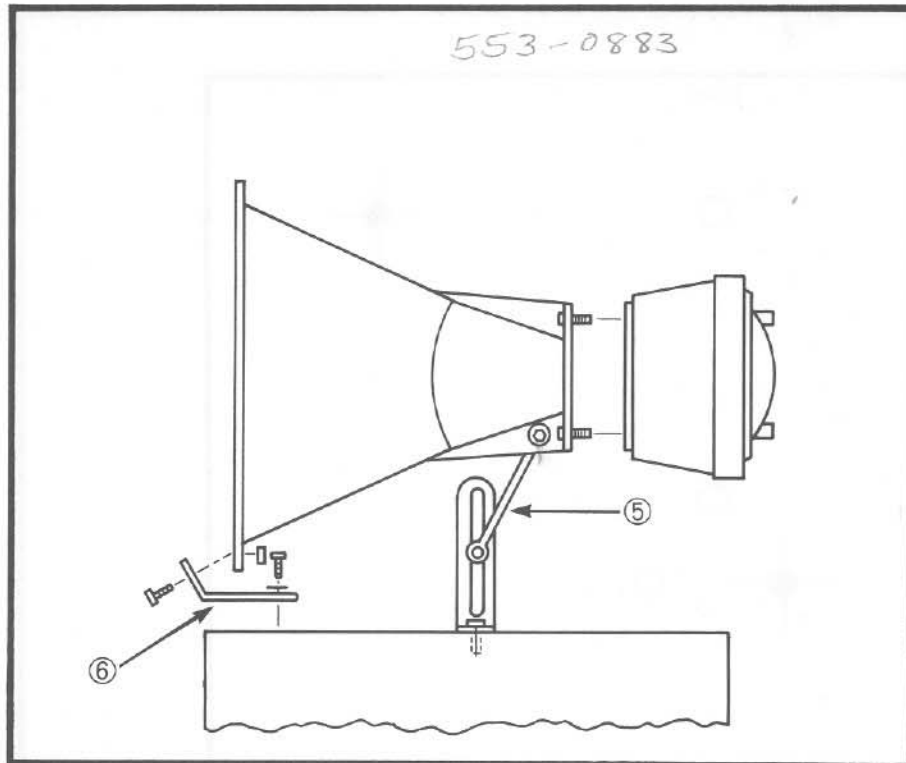


6119

553-0883



Electro-Voice®
 a gulton company

**Model HMK-1
 Horn Mount
 Accessory Kit**

SPECIFICATIONS

- Material:**
 #10 gauge steel
- Finish:**
 Black paint
- Net Weight:**
 0.4 kg (0.9 lb)
- Shipping Weight:**
 0.7 kg (1.5 lb)

DESCRIPTION

The HMK-1 horn mount accessory kit allows the DH1 driver and HP940 horn to be mounted to the TL606DW low-frequency system, with vertical rotational freedom.

MOUNTING

Bolts and T-nuts have been pre-installed in the TL606DW. Together with the hardware supplied with the kit, the horn and driver can be easily mounted to the enclosure as shown.

INSTALLATION INSTRUCTIONS

(See reverse side of sheet.)

WARRANTY (Limited)

Electro-Voice Accessories are guaranteed for one year from date of original purchase against malfunction due to defects in workmanship and materials. If such malfunction occurs, unit will be repaired or replaced (at our option) without charge for materials or labor if delivered prepaid to the proper Electro-Voice service facility. Unit will be returned prepaid. Warranty does not extend to finish, appearance items or malfunction due to abuse or operation under other than specified conditions, nor does it extend to incidental or consequential damages. Some states do not allow the exclusion or limitation of incidental or consequential damages, so the above exclusion may not apply to you. Repair by other than Electro-Voice or its authorized warranty service agencies will void this guarantee. A list of authorized service centers is available from Electro-Voice, Inc., 600 Cecil Street, Buchanan, MI 49107 (AC/616-695-6831); Electro-Voice, Inc., 3810 148th Avenue N.E., Redmond, WA 98052 (AC/206-881-9555); and/or Electro-Voice West, 8234 Doe Avenue, Visalia, CA 93291 (AC/209-651-7777). This warranty gives you specific legal rights, and you may also have other rights which vary from state to state.

Service and repair address for this product: Electro-Voice, Inc., 600 Cecil Street, Buchanan, Michigan 49107.

Specifications subject to change without notice.

CONTENTS			
Reference No.	Part No.	Quantity	Description
1	3897-AY	6	Lock Washer
2	20023-AY	2	1/4-20 Nut
3	38669-AY	6	Washer
4	63089-CV	2	1/4-20 Screw
5	81283	1	Bracket Assy
6	72243	2	Horn/Cabinet Bracket
7	530593	1	Label
8	62885-CP	2	Screw



ELECTRO-VOICE, INC., 600 Cecil Street, Buchanan, Michigan 49107

MANUFACTURING PLANTS AT ■ BUCHANAN MI ■ NEWPORT TN ■ SEVIERVILLE TN ■ REDMOND WA ■ GANANOQUE ONT
 © Electro-Voice, Inc. 1986 ■ Litho In U.S.A.

a gulton company

Part Number 530677-617

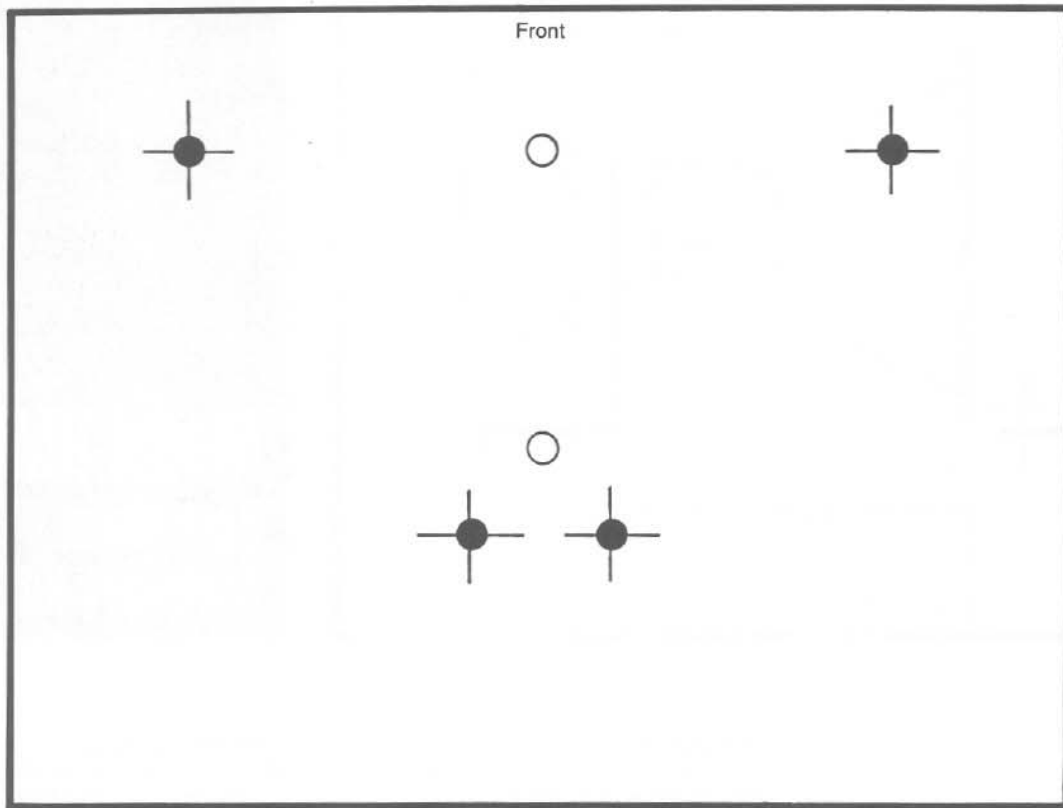



FIGURE 1
TL606DW — Top View

HMK-1 INSTALLATION INSTRUCTIONS

1. Remove indicated bolts from cabinet. []
2. Bolt driver to horn, capturing large HMK-1 bracket.
3. Using bolts removed from cabinet, secure bracket/horn assembly at rear of cabinet.
4. Secure small, L-brackets to front of cabinet with bolts removed from cabinet.
5. Secure horn to L-brackets using supplied hardware.